

A detailed close-up photograph of the DORMA ES 75 Easy Go sliding door operator. The device is a complex mechanical assembly with various components, including a motor, gears, and a terminal block. A white label with technical specifications and a wiring diagram is attached to the side of the unit. The background is a blurred, light-colored surface, likely the door frame or track.

ES 75 EASY GO

Sliding Door Operator

FLEXIBLE, SIMPLE AND MODULAR

It is time to rethink sliding door operators. The DORMA ES 75 EASY GO in the attractive DORMA design stands for simple automation of sliding door units in all areas of application. It is the innovative drive system for door units up to 2 x 75 kg, in a modular construction with world-wide tried and trusted electronics and new mechanics comprised of only a few components with only 105 mm profile height.

The ES 75 EASY GO is the optimum solution for all customers who require simple assembly, low storage costs and ease of maintenance. With high quality engineering and finish the ES 75 EASY GO is a particularly cost-effective sliding door operator made with DORMA's world renowned high quality and expertise.

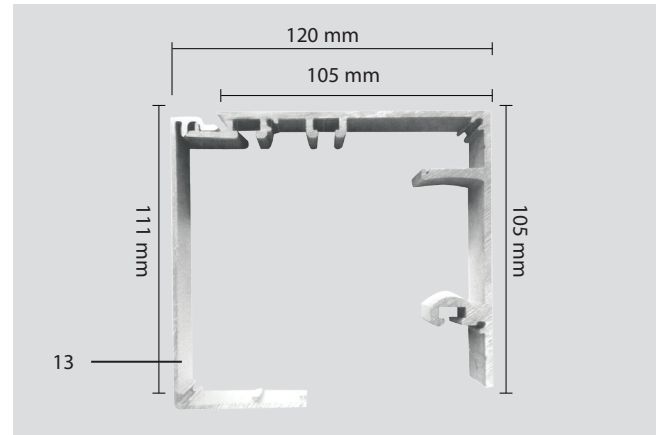
The ES 75 EASY GO operator is suitable for many different applications and can be combined with all customary

door profiles. It offers a number of adjustment possibilities, has excellent operating characteristics and is easy to install and maintain.

The self-learning microprocessor controller guarantees reliable operation, ensures dynamic and smooth movements and fulfils the highest safety requirements. The setting of all parameters is carried out quickly and easily via an integrated display with push-buttons. Operation is extremely simple and menu-assisted. Additional programming equipment is not required.

DORMA supplies, as the optimum supplement, program switches and pulse senders as well as door profiles specially matched to the drive.

ES 75 EASY GO Carriage Section View

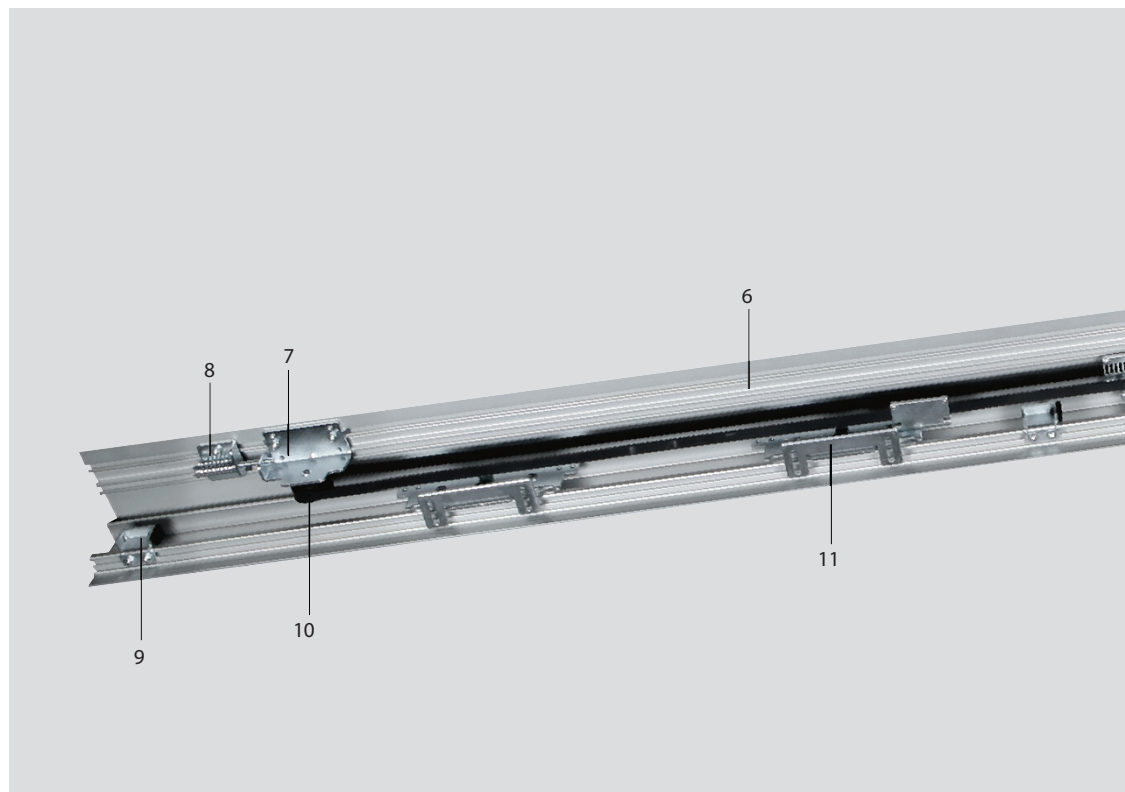


Features and advantages

- Modular, flexible system
- For door units up to 2 x 75 kg
- Problem-free adaptation to individual requirements
- Low number of system components
- Industrially prefabricated and tested
- Easy assembly of drive systems
- Multi-functional control, commissioning without programming equipment
- Easy fixing and commissioning
- Can be combined with all customary door profiles
- Reliable function and high safety standards
- Smooth movement
- Complete program at program switches
- Numerous standard connections

Components

- 1 Transformer
- 2 Controller
- 3 Motor
- 4 Belt
- 5 Belt Connector
- 6 Carriage
- 7 Deflection roller support
- 8 Tension device
- 9 End stopper
- 10 Deflection roller
- 11 Door suspension
- 12 Track Profile
- 13 Cover

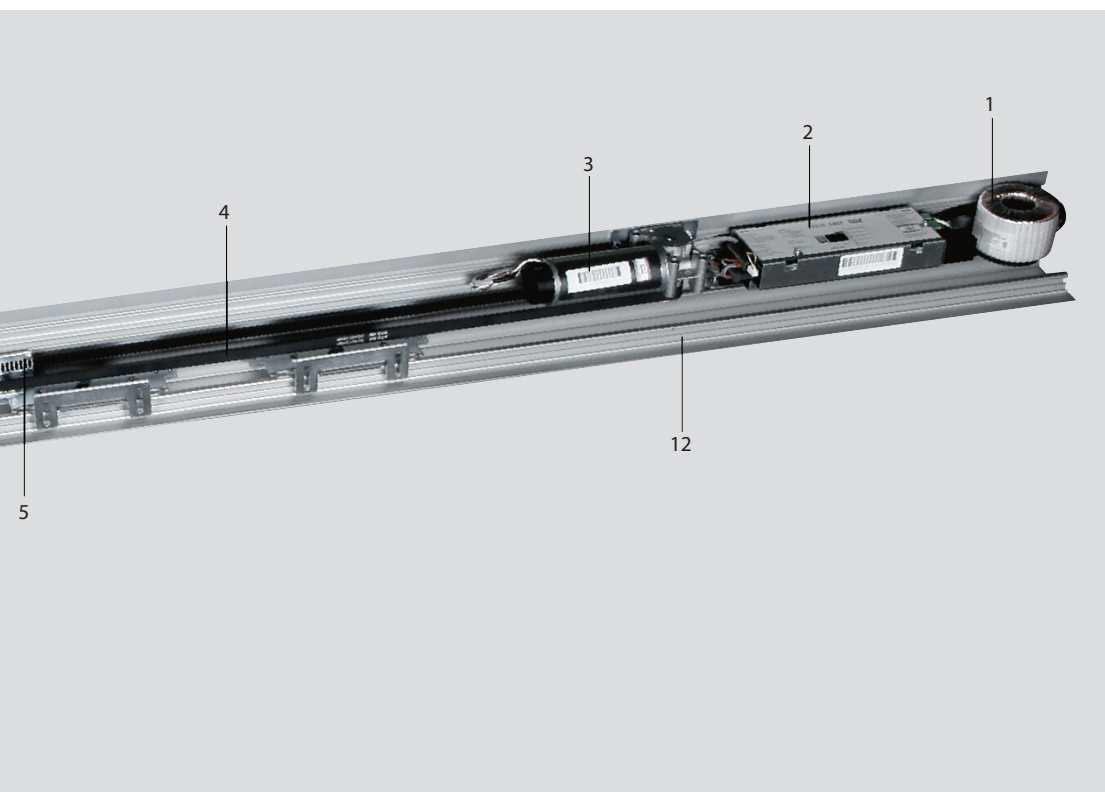


Door parameters		ES 75 EASY GO
1-panel sliding door	- Transit width LW	700 – 1100 mm
	- Door panel weight, max.	1 x 80 kg
2-panel sliding door	- Transit width LW	700 – 2000 mm
	- Door panel weight, max.	2 x 75 kg

Technical data	
Height	105 mm
Depth	115 mm
Opening and closing force max.	150 N
Opening speed (incremental setting)	10 – 50 cm/s
Closing speed (incremental setting)	10 – 40 cm/s
Hold-open time	0.5 – 30 s
Mains voltage, frequency	230 V, 50/60 Hz
Power consumption	150 W
International protection	IP 20
Tested according to low-voltage guidelines	

Control Unit	
Microprocessor controller	•
Functional programs	
- Off	•
- Automatic	•
- Permanent open	•
Self-learning	•
Automatic reversing	•
Setting of basic parameters	•
24 V output for external consumption	•
Error code display	•
3 way program switch	•

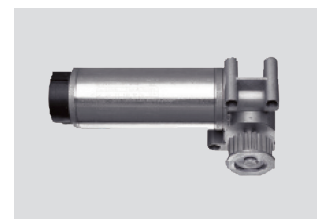
• standard



Motion Sensor

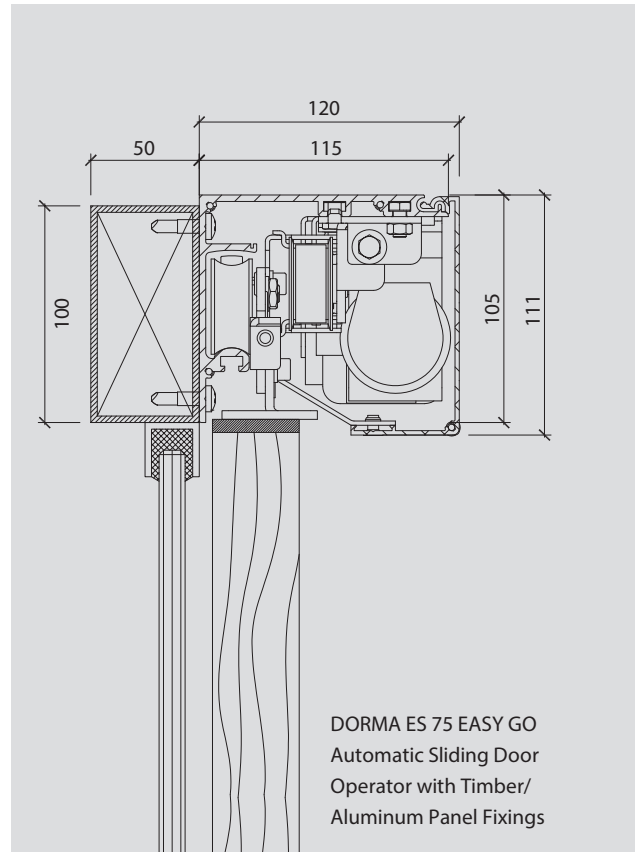
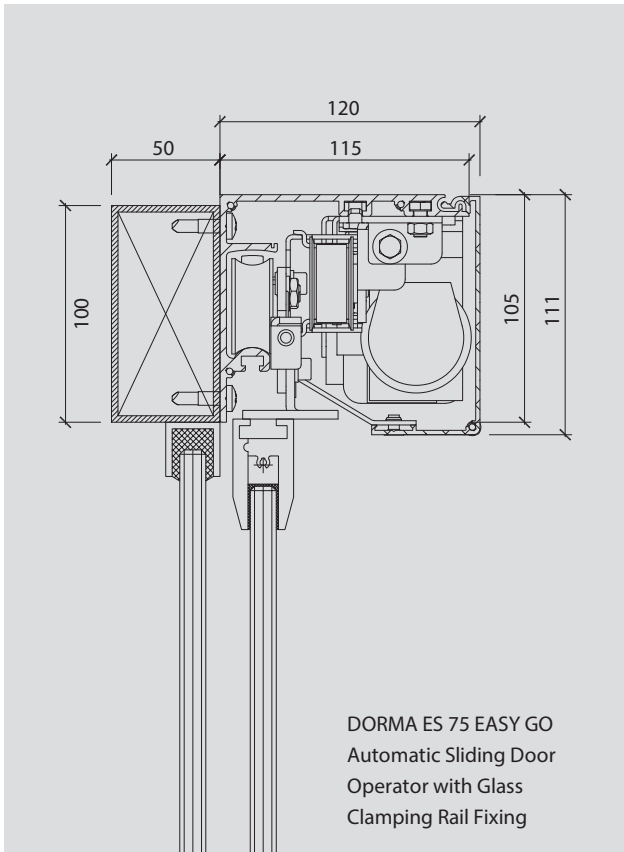


Motor

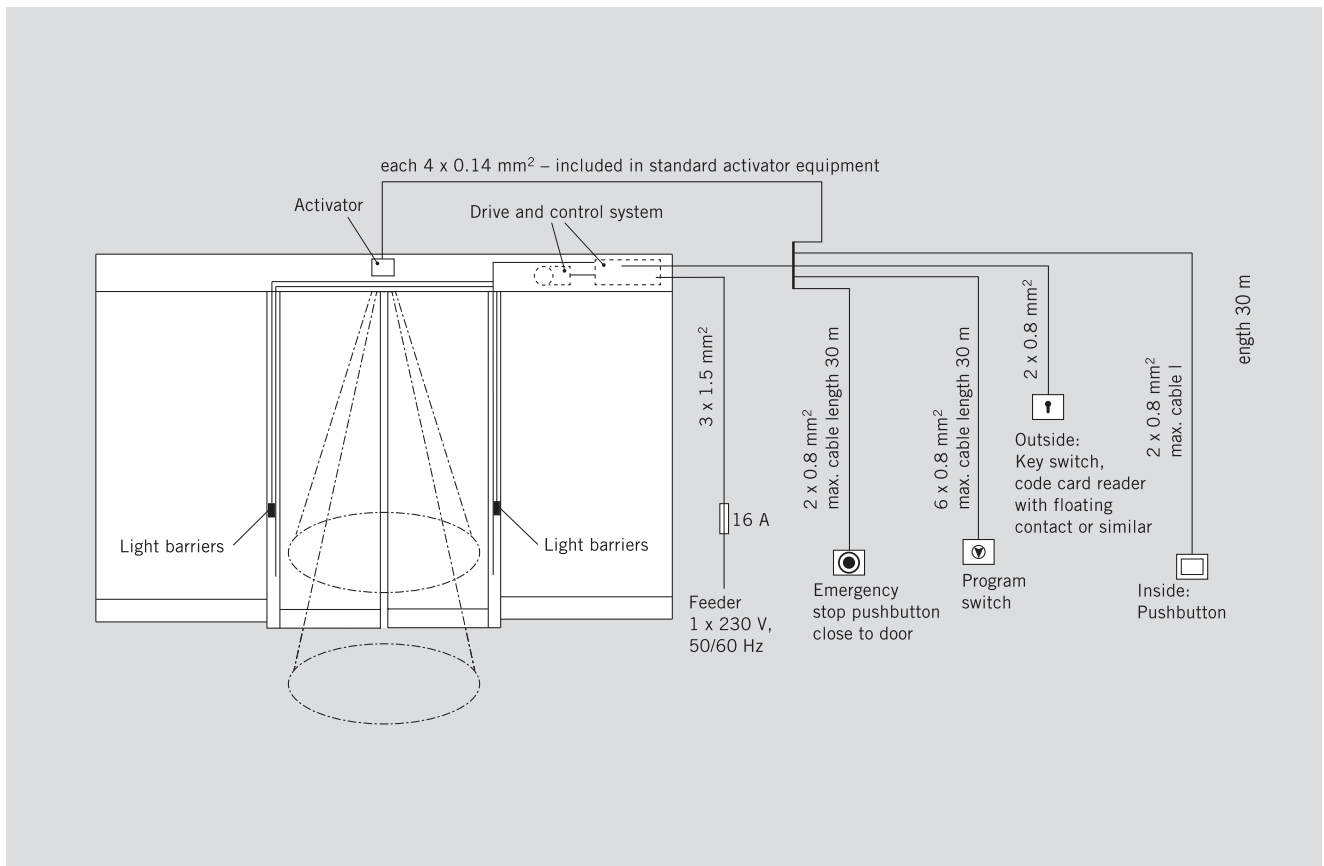


Controller





CONNECTIONS





www.dorma.com